

SPC-2145

Ultra Compact Embedded System with Quad Core Intel® Atom™ E3845, 2 Gigabit LAN, 4 USB 3.0, 4 COM, Fanless, Rugged, Extended Temperature



Features

- Quad Core Intel® Atom™ E3845 1.91GHz Processor
- Rugged, -25°C to 70°C Operating Temperature
- Fanless and Ultra-compact
- 6V to 36V DC Power Input
- DVI-I for VGA/ DVI/ HDMI Video Output
- Dual Independent Gigabit LAN
- 4 External USB 3.0
- 4 COM RS-232/ 422/ 485 with Auto Flow Control
- Supports 3G/ 4G/ LTE/ WiFi/ GPRS/ UMTS



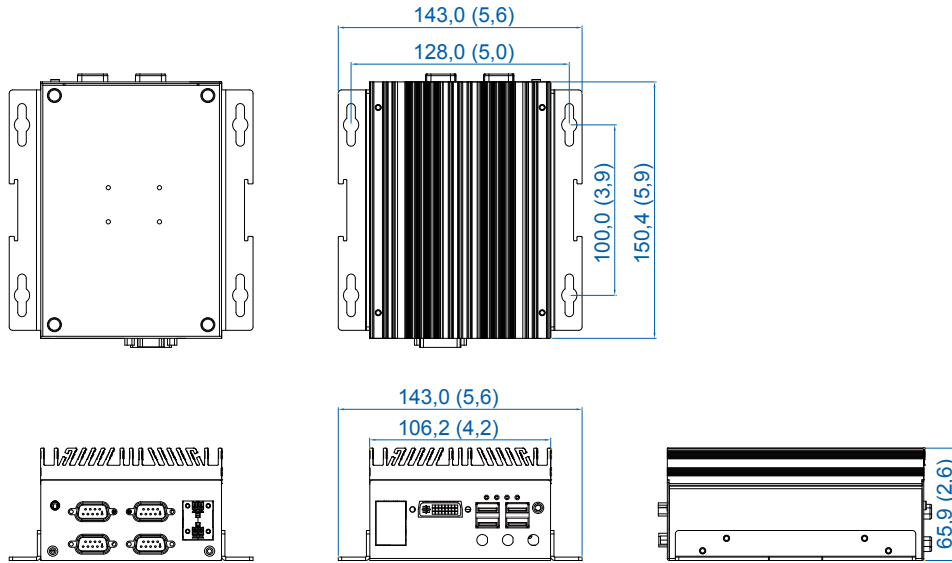
Specifications

System	
Processor	Quad Core Intel® Atom™ E3845 1.91GHz Processor (Valleyview)
Chipset	Intel® SoC (Bay Trail)
BIOS	AMI
SIO	IT8786E
Memory	1 DDR3L 1333MHz SO-DIMM, up to 8GB
I/O Interface	
Serial	4 COM RS-232/ 422/ 485
USB	4 USB 3.0
LED	Power, HDD, WTD
SIM Card	1 Internal SIM Card Socket
Expansion	
Mini PCIe	2 Mini PCIe Socket : ▪ 1 Mini PCIe for PCIe/ USB/ SIM Card ▪ 1 Mini PCIe for PCIe/ USB/ Optional mSATA
Graphics	
Graphics Processor	Intel® HD
Interface	DVI-I for VGA/ DVI/ HDMI output : ▪ DVI : Up to 1920 x 1080 ▪ VGA : Up to 2560 x 1600
Storage	
SATA	1 SATA II (3Gbps)
mSATA	1 SATA II (Mini PCIe Type, 3Gbps)
Audio	
Audio Codec	Realtek ALC888S-VD, 7.1 Channel HD Audio
Audio Interface	1 Line-out
Ethernet	
LAN 1	Gigabit LAN by Intel® I210
LAN 2	Gigabit LAN by Intel® I210
Power	
Power Input	6V to 36V, DC-in
Power Interface	2-pin Terminal Block : V+, V-
Remote Switch	2-pin Terminal Block : On, Off

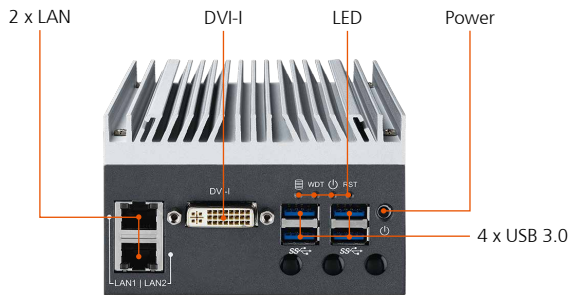
Others	
Watchdog Timer	Reset : 1 to 255 sec./min. per step
Smart Management	Wake on LAN, PXE supported
HW Monitor	Monitoring temperature, voltages. Auto throttling control when CPU overheats.
Software Support	
OS	Windows 8, Windows 7, Linux
Mechanical	
Dimensions (W x L x H)	106mm x 150.4mm x 65.9mm (4.2" x 5.9" x 2.6")
Weight	1.4 kg (3.1 lb)
Mounting	▪ Wallmount by mounting bracket ▪ DIN Rail Mount (Optional)
Environment	
Operating Temperature	-25°C to 70°C (-13°F to 158°F)
Storage Temperature	-40°C to 85°C (-40°F to 185°F)
Humidity	5% to 95% Humidity, non-condensing
Relative Humidity	95% @ 70°C
Shock	▪ IEC 60068-2-27 ▪ SSD : 50G @ wallmount, Half-sine, 11ms
Vibration	▪ IEC 60068-2-64 ▪ SSD : 5Grms, 5Hz to 500Hz, 3 Axis
EMC	CE, FCC, EN 50155, EN 50121-3-2

Dimensions

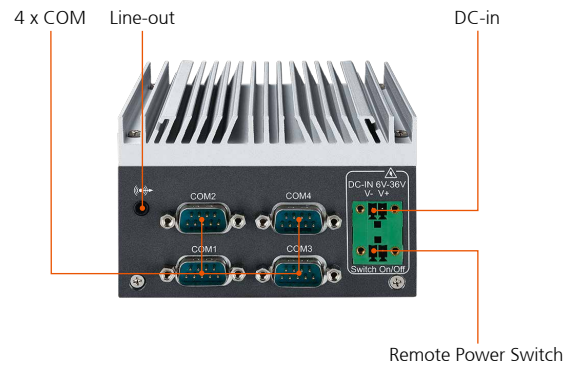
Unit : mm/ inch



Front I/O



Rear I/O



Order Information

SPC-2145	SPC-2145 Ultra-compact Embedded System, 2 GbE LAN, 4 COM, 4 USB, Onboard Quad Core Intel® Atom™ E3845
DDR3L4G	Certified DDR3L-1600 4G RAM
DDR3L8G	Certified DDR3L-1600 8G RAM
PWA-60WP2	60W, 24V/2.5A 100V AC to 240V AC Power Adapter for 2-pin 3.5mm Terminal Block
DIN-RAIL	DIN Rail Kit
3G Module	Mini PCIe 3G/GPS Module with Antenna
4G Module	Mini PCIe 4G/GPS Module with Antenna
WiFi & Bluetooth Module	Intel® Mini PCIe WiFi & Bluetooth Module with Antenna